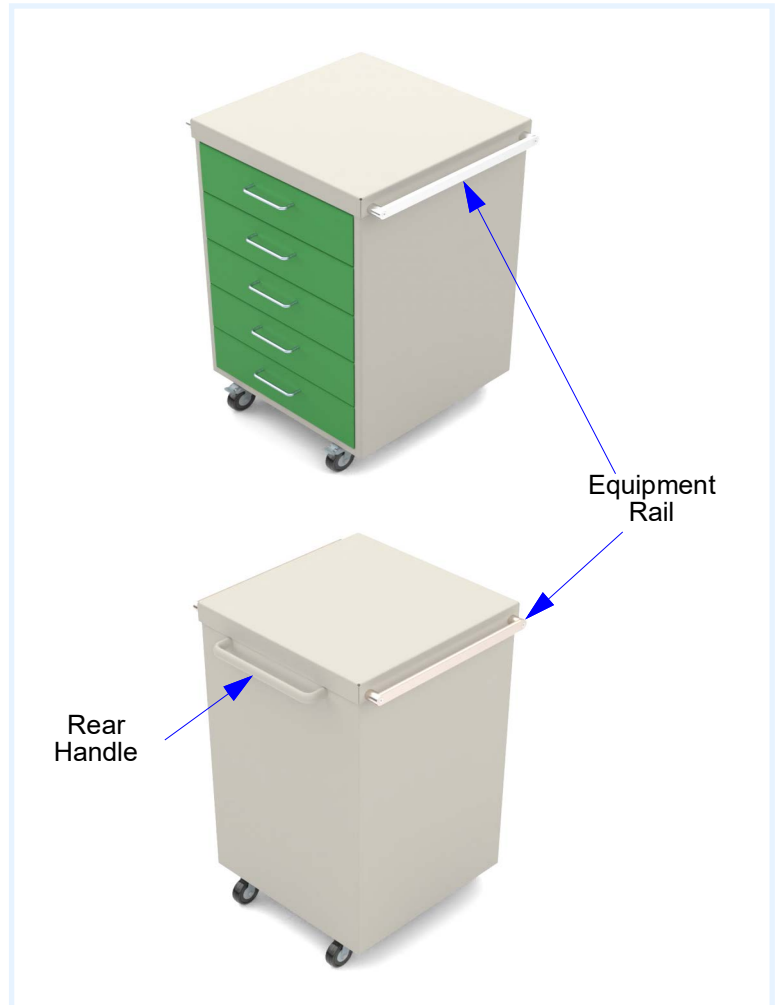




- Read and obey these instructions.
- Observe drawer weight limits.
  - Shallow drawers limited to 5kg.
  - Deep drawers limited to 10kg.
- Only open one drawer at a time.
- Engage brakes when stationary.
- Close and lock drawers during transit.
- Do not sit or stand on unit.
- Do not stack.

## GENERAL INFORMATION

Illustrious Healthcare Solutions have designed the Illustrious Multi-Purpose Clinical Trolley (IMPACT) range for clinical use, which can be used during procedures or general storage. The IMPACT is a mobile drawer unit of either 500mm or 750mm width, which can be configured with 3, 4, 5 or 6 drawers. Rails on either side of the unit can be used to attach medical equipment.



## OPERATION

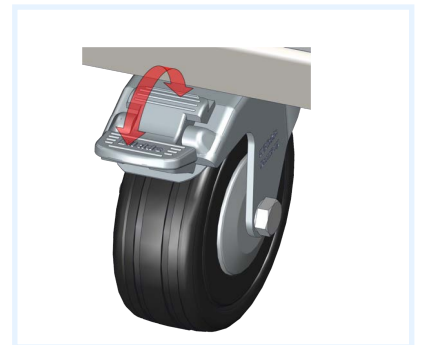
Prior to use do a visual inspection to ensure functional.

Push or pull IMPACT using rear handle.

Two of the castors are fitted with brakes. Operate lever with foot to engage/dis-engage brakes.

If the lockable option has been purchased:

- To unlock - Enter 4 digit code, turn handle to open.
- To lock - Turn handle to close, locks automatically.



## CLEANING & DISINFECTING

The IMPACT can be cleaned and disinfected using sanitising anti-bacterial wipes and/or chlorine based disinfectant solution, in accordance with usual cleaning regimes.

Do not use steel wool or other abrasive material.

Avoid exposing surfaces to cleaning agents for long periods by wiping off using a water dampened cloth.

Dry all equipment thoroughly after cleaning.

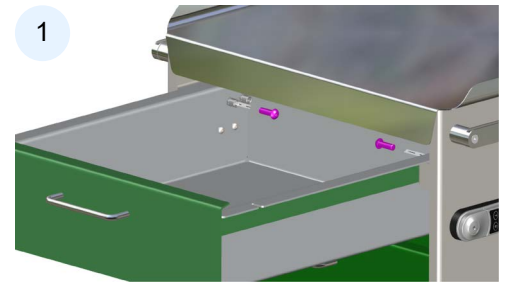
Drawers can be removed, if necessary, for deep cleaning.

Damage caused by the use of unapproved substances or processes will not be covered by the warranty.

## MAINTENANCE

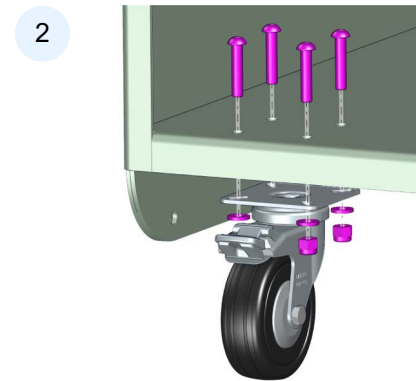
### Drawer Removal (1)

- Use a 5mm hex key to remove two screws, one each side, at rear of drawer.
- Pull drawer clear of unit.



### Castor Replacement (2)

- Remove bottom drawer.
- Use 4mm hex key & 10mm spanner to remove the 4 off screws, nuts & washers.
- Remove castor complete with spacer plate.
- Replace castor in reverse order.



### Setting Lock Codes

Unless manufactured to special order, the default master code is 11 33 55 77 and the default user code is 22 44. These codes are common to all standard locks and it is very important that you set your own personal master and user codes. Your lock is not secure until you have changed the default master code and user code. Keep a safe record of your master code as it is not possible to make any programming changes without it.

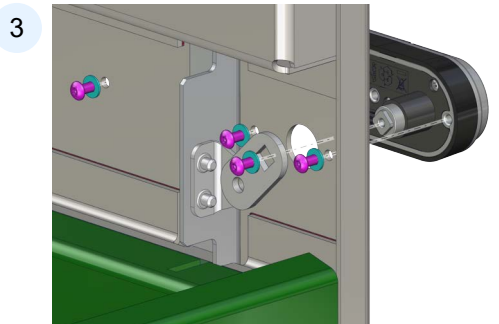
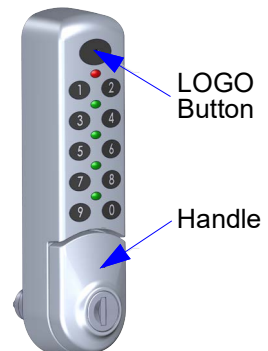
Please see [programming instructions](#) to set your own codes.

### Lock Battery Replacement (3)

To check if batteries require replacement press LOGO button twice. Batteries require changing if RED light flashes.

If RED light flashes immediately prior to unlocking, batteries must be changed as soon as possible:

- Remove top drawer.
- Support lock body and remove 4 off screws using 2.5mm hex key.
- Remove lock.
- Replace batteries.
- Refit lock, fit drawer.
- Test operation.



Queries concerning IMPaCT are welcomed via:

- Email: [info@ihealths.co.uk](mailto:info@ihealths.co.uk)
- Telephone: +44 (023) 92 621714.
- Post: Illustrious Healthcare Solutions, Airport Service Road, Portsmouth, Hampshire, UK, PO3 5PF.
- [Feedback form](#).

## DISPOSAL

Illustrious Healthcare Solutions have designed the product using recyclable materials to minimise the environmental footprint, reduce pressure on natural resources, and prevent the risk of hazardous substances causing environmental damage. Disposal should be facilitated through your local council, regulatory agency, or an appropriate waste disposal company.

